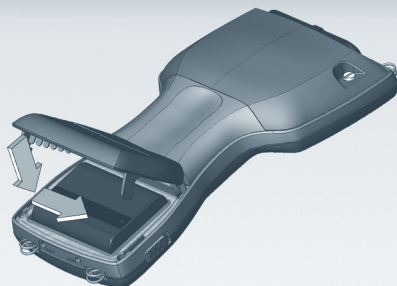
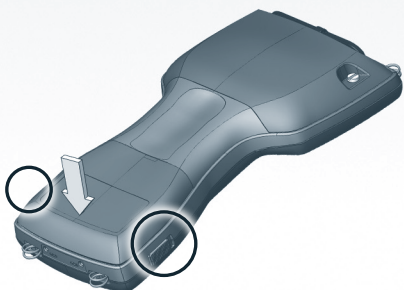




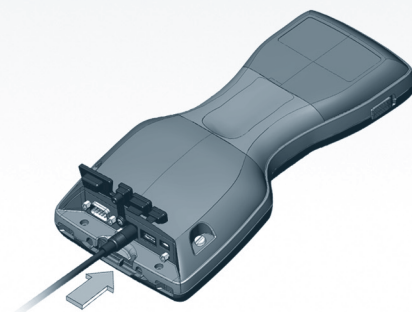
**1** On both sides, slide latches up to open battery compartment door.



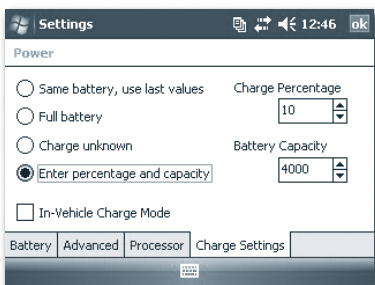
**2** Place battery pack in the compartment and slide right.



**3** Close battery compartment with one hand while sliding both latches down firmly with the other hand.



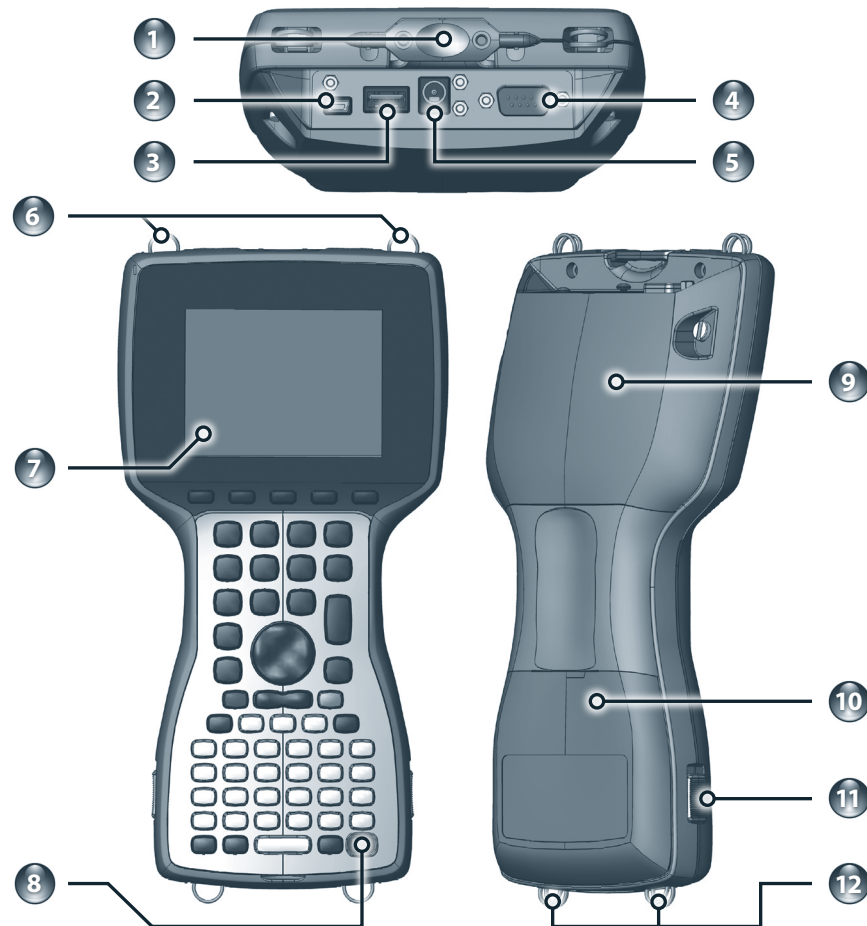
**4** Plug battery charger into wall outlet, then into the Field PC. Follow on-screen instructions.



**5** Select (Enter percentage and capacity) and set charge percentage to 10.



**6** Charge for 6 hours.



## The anatomy of your Field PC

- |                      |                          |
|----------------------|--------------------------|
| 1 Stylus             | 7 Touchscreen/Display    |
| 2 USB Client         | 8 Power button           |
| 3 USB Host           | 9 Expansion card door    |
| 4 9-pin serial port  | 10 Battery door          |
| 5 12V DC jack        | 11 Battery door latches  |
| 6 Top lanyard cleats | 12 Bottom lanyard cleats |

- English
- 简体中文
- 繁體中文
- Français

- Deutsch
- Polski
- Español
- Svenska

