

DOCKING STATION FOR JUNIPER MESA PRO TABLET COMPUTERS

USER GUIDE

Description	Part Number
Docking Station for Juniper Mesa Pro – Full Version	AS7.J001.100

NOTE: Standard docking stations are compatible with Juniper Mesa Pro tablet device's using a hand strap attached to the rear of the tablet. Access to other rear mounted features of the tablet might also be affected (fingerprint reader, smart card reader, HF RFID reader, and touch pen).



GENERAL INSTRUCTIONS

SAFETY:

- Safety is dependent on the proper installation and servicing of this docking station. It is important to read and follow all instructions before installing this product.
- Proper installation requires a good understanding of automotive electrical systems and is recommended to be performed by qualified technicians only.
- There are no adjustments or user serviceable parts within the docking station. Opening the docking station will void the product warranty
- Do not install equipment or route wires in the deployment path of any air bag, or where it may interfere with critical safety or operating controls of any vehicle.

POWER:

- The power input should be 20 Vdc / 4.5 A (90W). The dock is meant to operate on 12 Vdc to 32 Vdc. Use a recommended power adapter for the dock. Juniper recommends using a 90W Auto Adapter for this dock.
- Power must only be supplied to either the docking station, or directly to the tablet (cradles only), never both.
- DC-DC Power adapter must comply with local jurisdictions.

WIRING:

- PMT does not recommend relying on a cigarette socket adaptor for powering vehicle docks. We recommend hard wiring the power adapter using a good clean ground direct from the vehicle battery neg(-) post, and pos(+) supply from a fused 12Vdc location also directly from the vehicle battery. All peripherals connecting to the docking station requiring external power should get power and ground from the same location as the dock.
- Visit www.precisionmounts.com/support/installation-user-guides.html for a copy of our general wiring and troubleshooting guide.

Proper Use and Care:

- Proper care and use of this product is critical to maximize safety and to prevent damage to the docking station and tablet.
- Do not store, place, or drag any object on top of the docking station.
- Visually inspect the docking station and tablet for any defect before using the dock or docking the laptop. Do not use if damaged.
- Any modifications made to the docking station could result in adverse performance and damage to the tablet and/or docking station and will void the warranty.
- Do not attempt to dock a computer or dock with wet contacts

Environmental: **TESTED TO**

- Storage: -40°C to 78°C (-40°F to 185°F)
- Operating: -30°C to 63°C (-22°F to 145°F)

SERVICING [ENTRETIEN]:

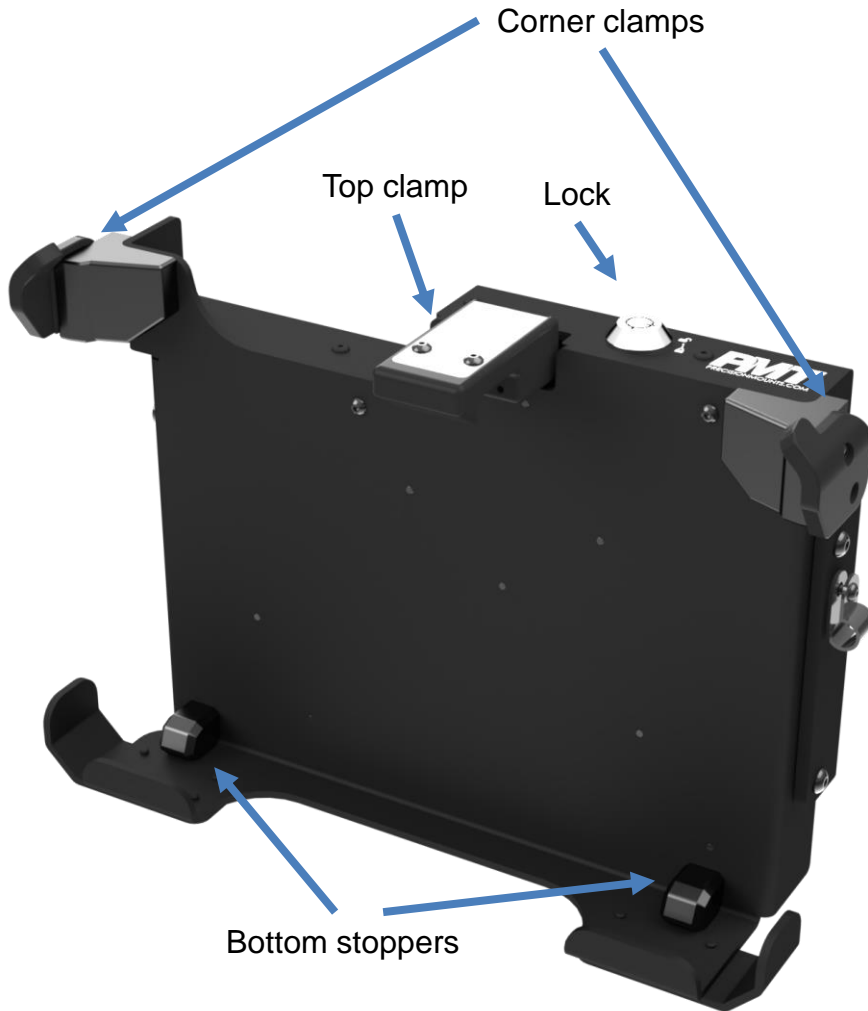
- If the dock does not work as intended, please contact PMT for troubleshooting or to schedule a service. *[Si le dock ne fonctionne pas comme prévu, contactez PMT pour le dépannage ou pour planifier un service.]*
- Servicing of the dock should be only done by authorized service center personnel. Unauthorized servicing of the dock will void its warranty. *[L'entretien du dock ne doit être effectué que par le personnel du centre de service autorisé. Un entretien non autorisé du dock annulera sa garantie.]*

Product Mounting Disclaimer

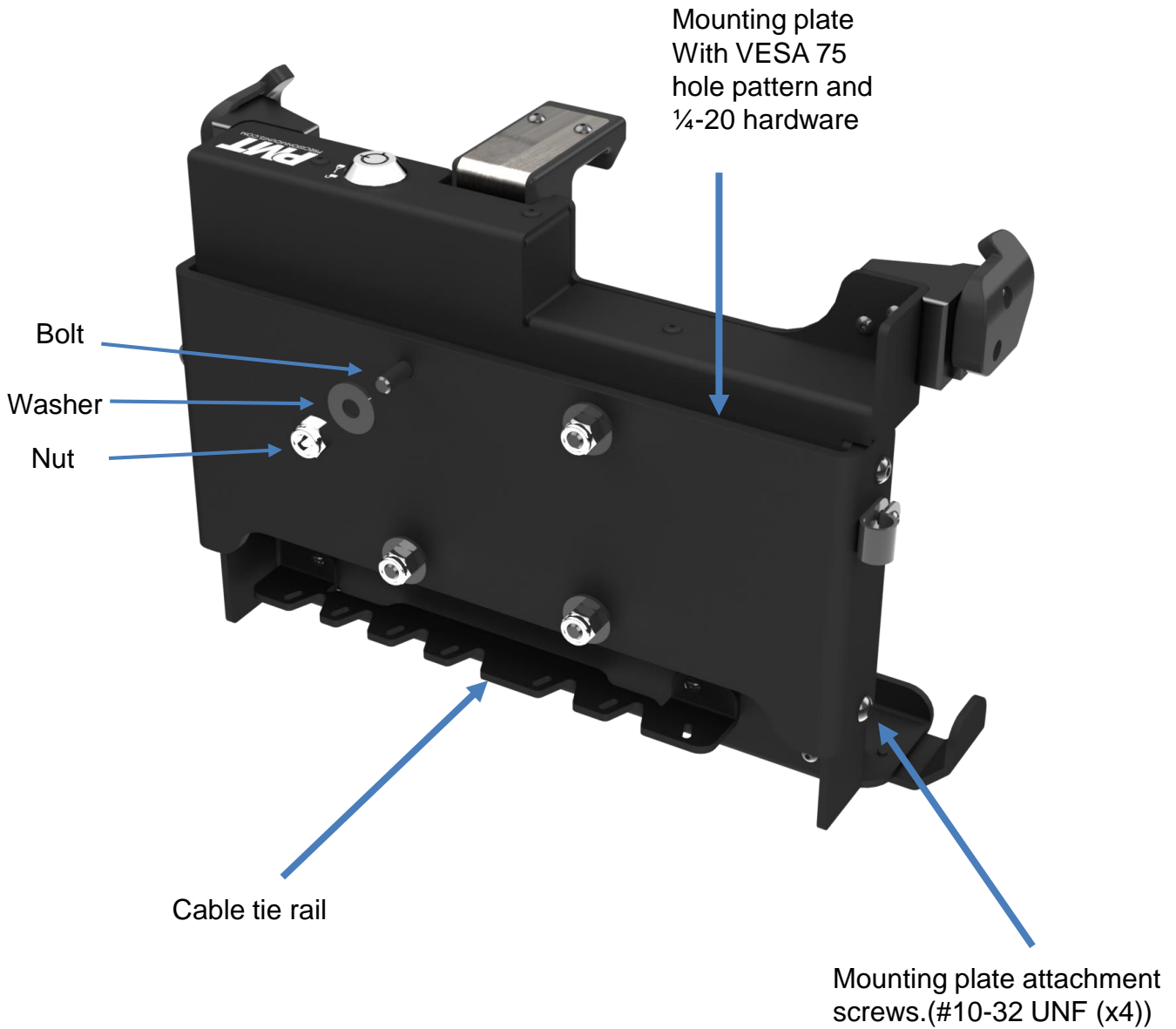
Precision Mounting Technologies Ltd (PMT) are not liable under any theory of contract or tort law for any loss, damage, personal injury, special, incidental or consequential damages for personal injury or other damage of any nature arising directly or indirectly as a result of the improper installation or use of its products in vehicle or any other application. In order to safely install and use PMT products full consideration of vehicle occupants, vehicle systems (i.e., the location of fuel lines, brake lines, electrical, drive train or other systems), air-bags and other safety equipment is required. PMT specifically disclaims any responsibility for the improper use or installation of its products not consistent with original vehicle manufactures' specifications and recommendations, PMT product instruction sheets, or workmanship standards as endorsed through PMT policies and EULA.



DESCRIPTION OF PARTS



DESCRIPTION OF PARTS CONT'D



PORT IDENTIFICATION

USB Type-C Data
Input (from device)

Power in
20 Vdc



USB Type-A
5Gbps

RJ45 Ethernet
10/100/1000 mbps

RS-232
Serial

INSTALLATION

Step 1:

Using a 1/8" Allen/Hex key (wrench), remove the mounting plate from the dock.



Step 2:

Install the mounting plate onto mounting infrastructure via the VESA 75 interface and the provided hardware. Be sure to orientate the plate in the correct position. Add the washer and tighten the bolts with the nuts.



Step 3:

Connect all required wiring to the dock while utilizing plastic tie straps and the cable tie rail to secure cables/connections. Each cable connecting to the docking station should be secured via a tie strap before exiting the docking station.

*Tighten the thumb screws using your fingers. Do not over tighten the threaded thumb screws on the USB-C power/data cable.



Step 4:

Attach the dock to the mounting plate using the 4x 10-32 UNF button head screws provided.



Tip: Visit our website to search for and review our "General wiring and troubleshooting guide" for further information.

DOCKING THE TABLET

Step 1:

Ensure lock is in the unlocked position

Step 2:

Place tablet bottom edge first against the bottom stoppers. Ensure the tablet is centered in the dock.

Step 3:

Press the Middle of the Tablet DOWN and With your fingers against the Back of the Dock at the Top, and your palm against the Tablet Front, **Squeeze** your hand. The top clamp will slide up and over the top of the Tablet. Ensure that the Top Clamp fully drops down over the front face of the tablet once in position. If excessive force is required, stop and check alignment and ensure dock is unlocked.

*Avoid holding the tablet in the top corners while docking to prevent potential pinch point with corner clamps.

Step 4: attach the USB-C cable to the tablet.

*Tighten the thumb screws using your fingers. Do not over tighten the threaded thumb screws on the USB-C power/data cable.

Step 5:

For additional security and theft deterrence, insert key and rotate lock to the locked position as shown.



UN-DOCKING THE TABLET

Step 1:

If previously locked, insert key and rotate lock to the unlocked position.

Step 2:

Remove the USB-C cable from the tablet.

Step 3:

- a. Using your thumb, push Top Clamp up.
- b. Then pull the top of the tablet away from the dock.

Step 4:

Once clear of the Top Clamp, lift the tablet out and away from the dock.



Regulatory model: AS7.J001.100

Certifications and test standards:

EN ISO / IEC 17050-1:2010
ICES-003(A) / CISPR 32 / EN 50498
ISO 10605
MIL-STD-810H
RoHS 3 (2015/863)

Made in Canada

This device complies with Part 15 of the FCC Rules. Operation is subject to the following two conditions. (1) this device may not cause harmful interference, and (2) this device must accept any interference received, including interference that may cause undesired operation.

